

Profibus DP slave



**250 mm high digits. Industrial environment
Readable from up to 120m
1 o 2 displaying sides.**

Application field

Production counting and display.
Any variable from a PLC, counters, RPM, temperature.

Option to display the measures units

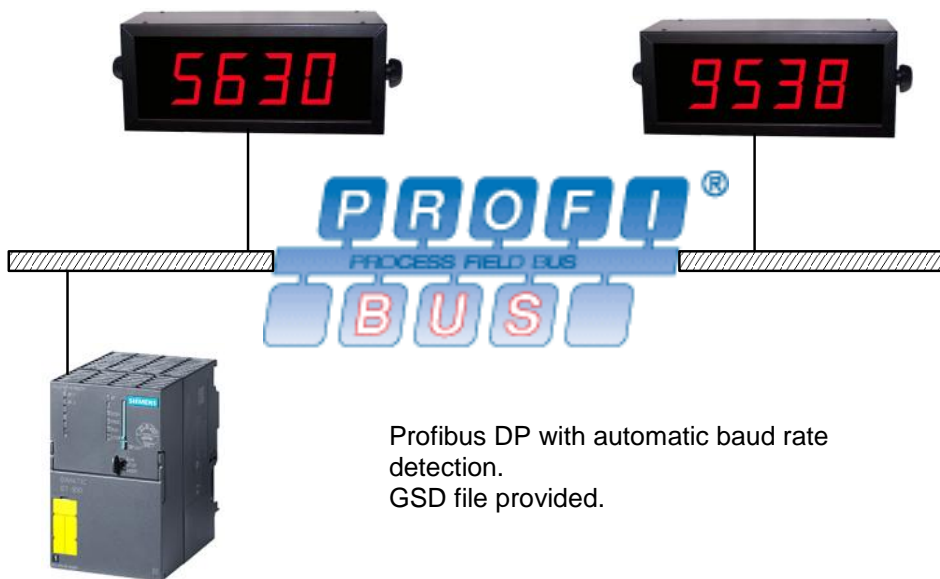
Several measure units can be permanently displayed: Kg, Tm, °C, mV, m/s, l/s, or any other unit, as the consumer desires, up to three characters.

DISPLAY CONFIGURATION

The displays include two push buttons to configure the display address, the data type, time without reception and decimal point position.

General specifications

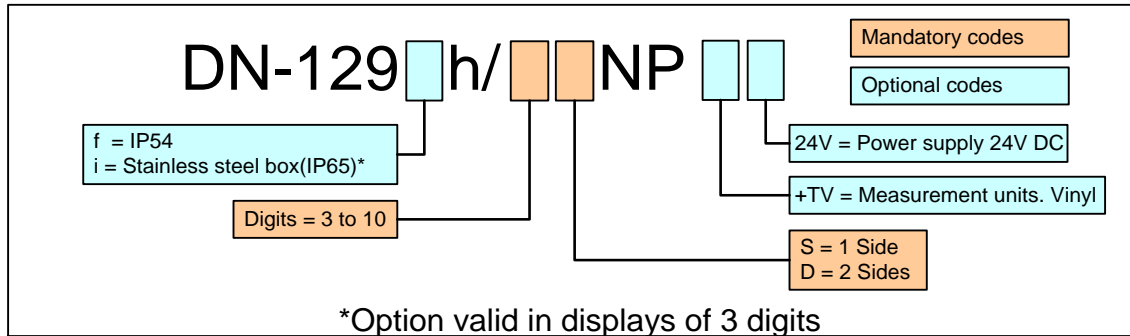
Numeric display Height	250mm
Unity of measures text Height (optional)	200mm
Visibility	120 meters
Valid characters	0 a 9, A,b,C,c,d,E,F,H,h,i,J,L,n,o,P,r,U,u [espace],=, [point],uppers., unders.
Maximum environmental illumination	1000 lux
Maximum environmental lighting. Models (fh)	Outdoor
Colour. Red/Green/Yellow	No applicable
Supply voltage	100VAC to 240VAC 50/60Hz. Option 24VCC
Display sides	One or two
Housing	Rugged aluminum extrusion
Mounting	Wall or suspension
Protocols	PROFIBUS DP Slave 12MHz



Dimensions

Digits	2	3	4	5	6	7	8	9	10
DN-129	Height = 366mm		Depth = 120mm						
Width in mm	515	750	985	1220	1455	1690	1925	2160	2395
Width + Option text in mm	985	1220	1455	1690	1925	2160	2395	2630	2865

Reference composition



EXAMPLES:

DN129h/4DNP

4 Digits, DN-129 series display, two sides.

DN129h/3SNP

3 Digits, DN129 series display, one side.

DN129fh/5SNP+TV "m/m"

5 Digits, DN-129 series display, one side. Protection degree IP54. Fixed text "m/m" in vinyl.